

ACOUSTO-PLUMB® SYSTEM

DESIGN FEATURES

- Replaces ineffective felt or carpet padding; long-lasting rigid material won't rot or deteriorate
- Provides reliable and secure method of mounting pipe, won't loosen the wood wedges or pipe hooks
- Pipe mount and insulator in one; absorbs the vibrations that would normally be transmitted by water velocity and disruptions in water flow
- Won't break down under normal hot water temperatures
- Recommended for high-end residential projects and multi-family construction such as apartments, condominiums, hotels and motels

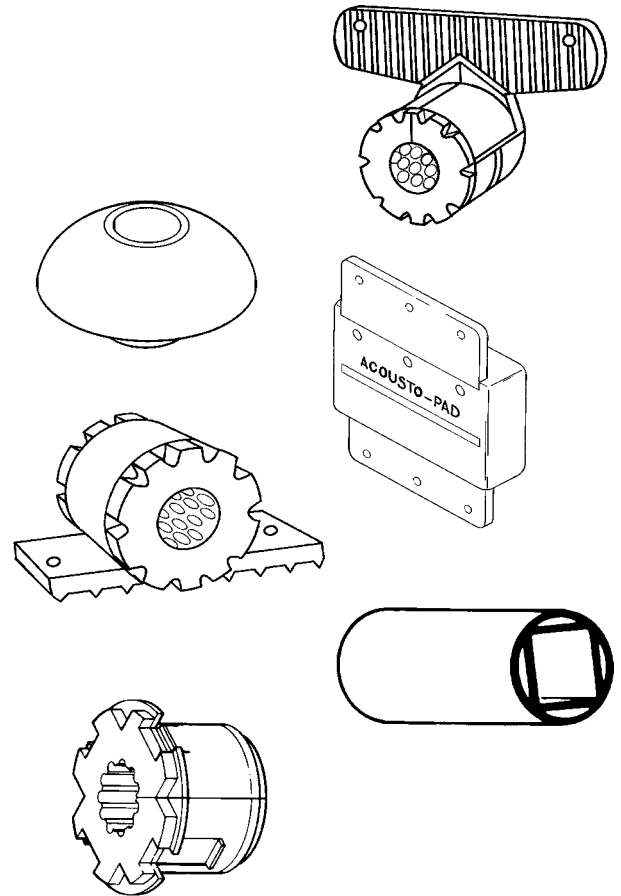
SPECIFICATION

Furnish and install the Acousto-Plumb® System of pipe mounting and insulation to isolate vibrations away from the building structure and reduce the transmission of piping noise. The Acousto-Plumb® clamps, hanger and in-wall insulators work in combination and can reduce noise from the water system. The main component of this system, the Acousto-Lator®, is made of specially formulated material that is strong and rigid enough to mount piping securely, yet pliable enough to absorb vibrations that can be transmuted into noise. Constructed of durable high-impact plastic with special acoustic lining.

***For use with all pipe types including CPVC**

COMPLIANCES/LISTINGS

- IAPMO File Number 2139





Legacy of **INNOVATION**

Specialty Products™

| Part Number | Description | Sizes | Parts/Bag |
|-------------|--|--------|-----------|
| P-6101 | Acousto-Clamp | 1/2" | 25 |
| P-6102 | Acousto-Clamp | 3/4" | 25 |
| P-6103 | Acousto-Clamp | 1" | 25 |
| P-6104 | Acousto-Clamp | 1-1/4" | 25 |
| P-6301 | Acousto-Lator | 1/2" | 25 |
| P-6302 | Acousto-Lator | 3/4" | 25 |
| P-6201 | High-Ear Acousto-Clamp | 1/2" | 25 |
| P-6202 | High-Ear Acousto-Clamp | 3/4" | 25 |
| P-6203 | High-Ear Acousto-Clamp | 1" | 25 |
| P-6204 | High-Ear Acousto-Clamp | 1-1/4" | 25 |
| P-6501 | Acousto-Sleeve | 1/2" | 25 |
| P-6401 | Acousto-Scutcheon Ivory Plastic | 1/2" | 25 |
| P-6701 | Acousto-Pad | - | 25 |
| P-6721 | Acousto-Kit for Sink-Lav Includes 26" Bracket and 2-P-6301 | - | 1 |
| P-6730 | Acousto-Kit for Toilet Includes 20" Bracket and 1-P-6301 | - | 1 |
| P-1064 | 20" Galvanized, 1-3/8" Notched Holes, Bracket Only | - | 25 |
| P-1067 | 26" Galvanized, 1-3/8" Notched Holes, Bracket Only | - | 25 |

| Product Submittal | |
|-------------------|-----------|
| Job Name: | Date: |
| Part Number: | Quantity: |
| Architect: | |
| Contractor: | |

Content matter is subject to change at any time. It is the user's responsibility to ensure the most updated revisions are obtained. SP/S-2025 Rev 3 2/2021

2727 CHEMSEARCH BLVD., IRVING, TX 75062 | PHONE: (800) 854-3215 | FAX: (800) 243-1777 | LSPproducts.com