

Specialty Products



CAP ALL Specification Sheet

Part Number	SIZE/ DIM A	DIM B	MSTR CTN QTY/LBS
P-0029	1-1/2"	1"	50/7
P-0030	2"	1"	50/8
P-0031	3"	1-1/8"	25/8
P-0032	4"	1-1/4"	25/10
P-0038	5"	1-1/2"	25/16
P-0039	6"	1-1/2"	20/15
P-0040	8"	1-1/2"	15/17

DESIGN FEATURES

- Designed for ABS, PVC, Cast Iron, Steel, or Copper Pipe
- Re-usable for greater economy
- Features all stainless steel band and screw
- Belt loop lugs keep clamps secure
- Spoke wheel beams give amazing strength
- Made in the US

MATERIAL SPECIFICATIONS

- Constructed of black thermoplastic material
- Stainless steel band

INSTRUCTIONS

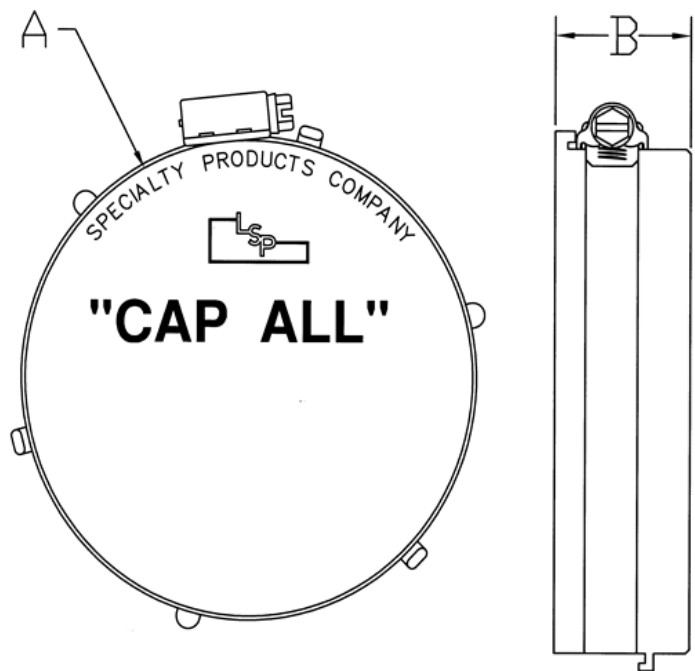
- Install over clean dry pipe and tighten clamp to 60 in/lb

COMPLIANCES/LISTINGS

- IAPMO listed to PS 90 file 6671



DIMENSIONS



3689 Arrowhead Drive, Carson City, NV 89706
 Phone: (800) 854-3215 | Fax: (800) 243-1777
 E-mail: sales@lspproducts.com | Website: www.lspproducts.com
 Content matter is subject to change at any time. It is the user's responsibility to ensure the most updated revisions are obtained.
 SP/SH (10-16) Rev 3

Product Submittal	
Job Name:	
Date:	
Part Number	Quantity
Architect:	
Contractor:	