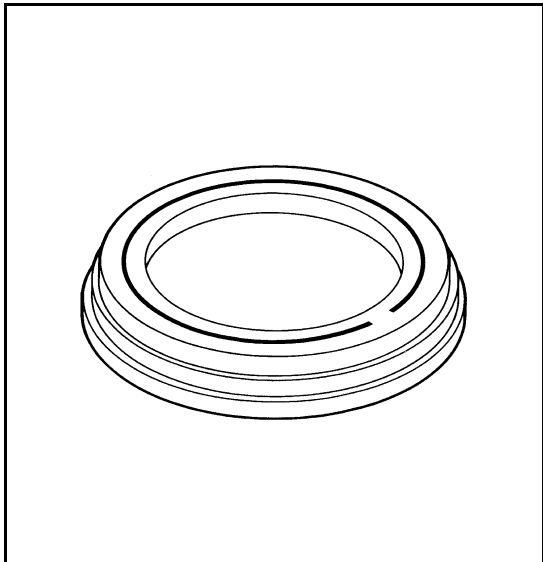
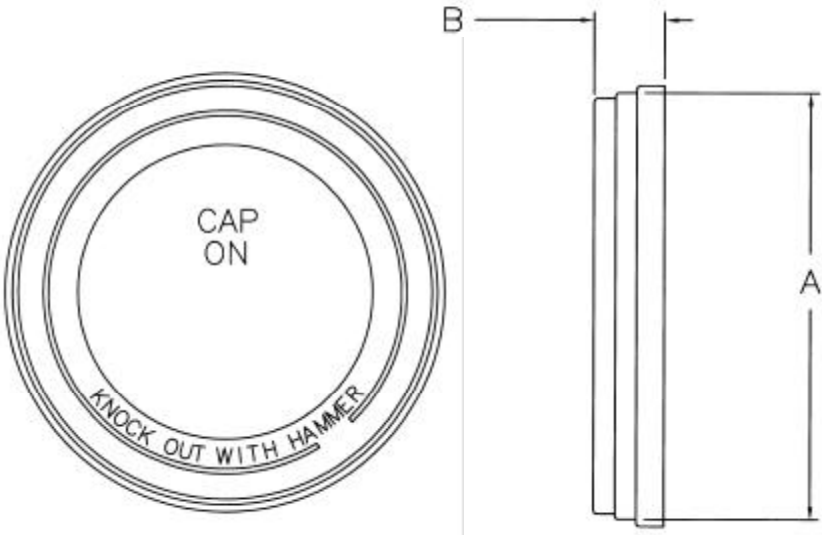


# Specialty Products™



## CAP ON Specification Sheet

PART NO.	DESCRIPTION	MSTR CTN QTY/LBS
P-0014	CO 1-1/2"	1600/32
P-0015	CO 2"	1600/32
P-0016	CO 3"	700/48
P-0017	CO 4"	250/48



### DESIGN FEATURES

- Designed for ABS and PVC Schedule 40 DWV fittings
- Hinged knockout prevents center from falling into pipe.
- Made in the USA

### MATERIAL SPECIFICATIONS

- Constructed of high impact plastic
- Color: White

Part Number	A	B
P-0014	1-1/2"	2-7/32"
P-0015	2-1/16"	2-3/4"
P-0016	3"	4"
P-0017	4"	5"



3689 Arrowhead Drive, Carson City, NV 89706  
 Phone (800) 854-3215 Fax (800) 243-1777  
 E-mail sales@lspproducts.com Website www.lspproducts.com

Content matter is subject to change at any time. It is the user's responsibility to ensure the most updated revisions are obtained.

SP/S-2014 (05-03) Rev 2

Product Submittal	
Job Name	
Date	
Part Number	Quantity
Architect	
Contractor	