

COPPER DECK DRAIN

Specification Sheet



PART NO.	DESCRIPTION
T-0210	2" Copper Deck Drain
T-0211	3" Copper Deck Drain

MATERIAL FEATURES

- Entire drain and flange is made of 100% copper.
- No-hub adaptor is made of 100% brass.
- Flat grate made of 100% stainless steel.

ADDITIONAL DESIGN FEATURES

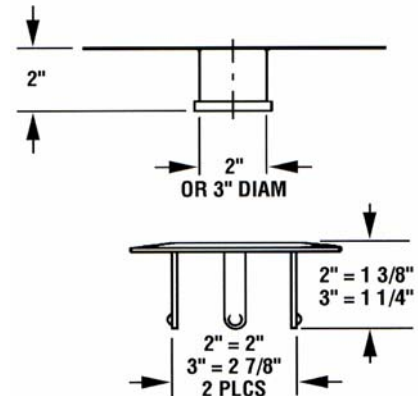
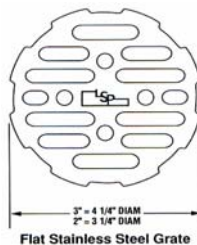
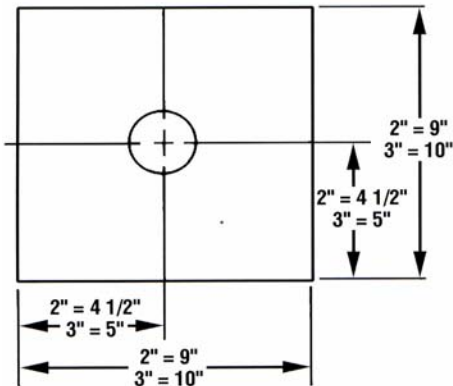
- Deck Drains available in 2" and 3" pipe sizes.
- Drain and Flange size is 9"W X 9"L (2" drain) or 10"W x 10"L (3" drain)
- Flat stainless steel grate.
- Sand blasted finish for excellent asphalt adhesion.
- Excellent adhesion to torch applied modified roof systems and B.U.R. systems

SPECIFICATION

Furnish and install Tech Specialties Copper Drain and flashing area in one unit, all manufactured by Tech Specialties or approved equal.

OPTIONAL

Flexible connection and expansion coupling shock absorbs the ill-effects of roof and deck expansion and contraction, prolonging roof system and deck life and preserving downspout and drain pipe system's integrity. Available in 2" and 3" pipe sizes.



3689 Arrowhead Drive, Carson City, NV 89706

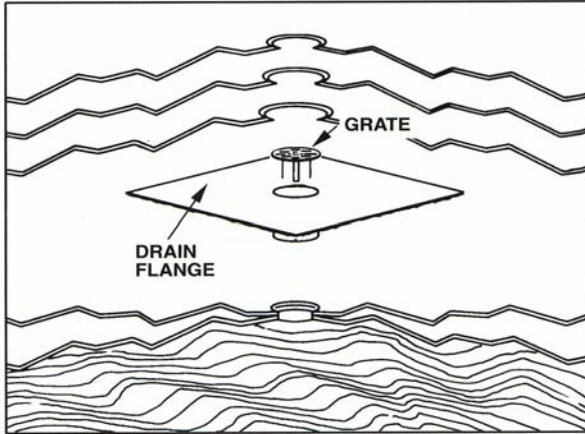
Phone (800) 854-3215 Fax (800) 243-1777

E-mail sales@lspproducts.com Website www.lspproducts.com

Content matter is subject to change at any time. It is the user's responsibility to ensure the most updated revisions are obtained.

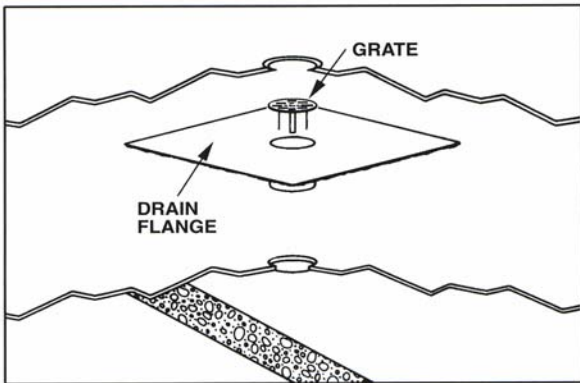
TS/S-2012 (5-05) Rev 2

Product Submittal	
Job Name	
Date	
Part Number	Quantity
Architect	
Contractor	



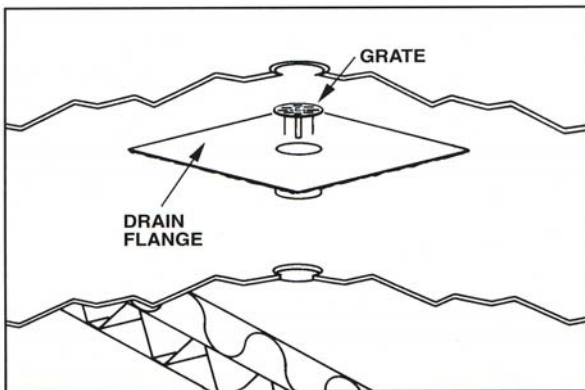
FLASHING DETAIL FOR BUILD-UP ROOF SYSTEMS

1. Mechanically attach 2 plies of roofing ply sheet embedded in hot asphalt to substrate, ensure the plies extend 18" past underlying portion of drain flange.
2. On under portion of drain flange, embed 1/3" layer, evenly spread roofing mastic compound.
3. Securely fasten drain flange to substrate using appropriate fasteners.
4. For best results, prime drain flange with asphalt primer. Allow ample drying time.
5. Begin B.U.R. system embedding alternate layers of roofing ply sheet in a feathering application down into and over flange. Note: Ensure asphalt is at a temperature range between 430°F 475°F.
6. Secure grate in place.
7. Complete roof system with specified surfacing as required



FLASHING DETAIL FOR MODIFIED SINGLE-PLY ROOF SYSTEMS

1. Place reversed sheet of modified over drain hole opening on substrate. Ensure that ply sheet extends 18" past underlying portion of drain flange.
Note: Recommend asphalt primer on under portion of drain flange be applied before hand.
2. Place drain on hot modified ply and secure drain flange to roof substrate using appropriate fasteners.
3. For best results, prime top portion of drain flange with asphalt primer. Allow ample drying time.
4. Back burn modified ply sheet, start roof system down into and over flange.
5. Secure grate in place.
6. Complete modified single-ply system with specified surfacing as required.



FLASHING DETAIL FOR E.P.D.M. OR RUBBER SINGLE-PLY ROOF SYSTEMS

1. Place single-ply sheet over drain hole on substrate. Ensure that ply sheet extends 18" past underlying portion of receiving drain flange.
 2. On under portion of drain flange embed 1/3" of water stop cut off.
 3. Securely fasten drain flange to substrate, using appropriate fasteners.
 4. Embed single-ply sheet in specified adhesive down into and over top portion of flange.
 5. Secure grate in place.
 6. Complete single-ply system with specified surfacing as required.
- NOTE: Please directly contact Material Decking Manufacture for specific installation procedures when using this deck overflow in conjunction with special surface coating used for waterproofing walking decks or balcony decks.



3689 Arrowhead Drive, Carson City, NV 89706
 Phone (800) 854-3215 Fax (800) 243-1777
 E-mail sales@lspproducts.com Website www.lspproducts.com

Content matter is subject to change at any time. It is the user's responsibility to ensure the most updated revisions are obtained.

Product Submittal	
Job Name	
Date	
Part Number	Quantity
Architect	
Contractor	