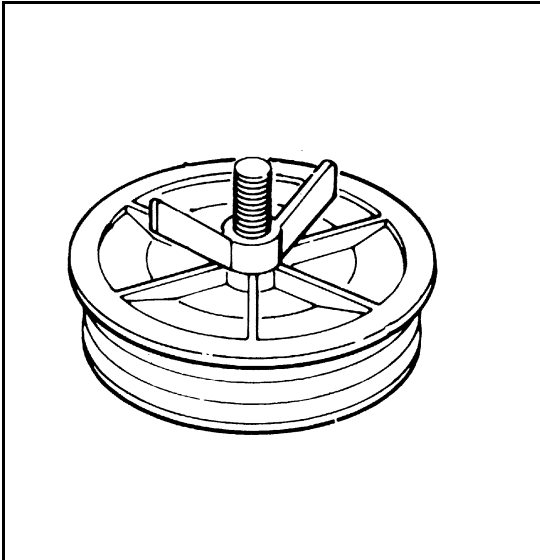
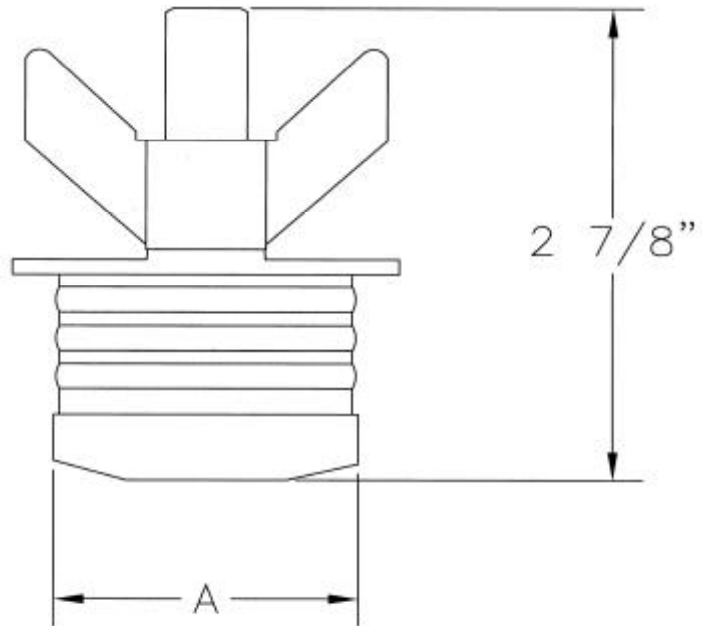


Specialty Products™

EXPANSION DOLLAR PLUG Specification Sheet



PART NO.	DESCRIPTION	MSTR CTN QTY/LBS
P-0044	EDP 1-1/2"	120/12
P-0045	EDP 2"	100/14
P-0046	EDP 3"	50/13
P-0047	EDP 4"	25/12



DESIGN FEATURES

- Designed for testing ABS, PVC, and Cast Iron, DWV pipe.
- Re-useable for greater economy
- No tools required; extra large wing nut makes it easy to hand tighten
- Triple O-ring design gives greater gripping power
- Cleans up with water
- Made in the USA

MATERIAL SPECIFICATIONS

- Center constructed of thermoplastic rubber
- Body constructed of high impact plastic
- Color: Blue and Orange

Part Number	A
P-0044	1-1/2"
P-0045	2"
P-0046	3"
P-0047	4"



3689 Arrowhead Drive, Carson City, NV 89706
 Phone (800) 854-3215 Fax (800) 243-1777
 E-mail sales@lspproducts.com Website www.lspproducts.com

Content matter is subject to change at any time. It is the user's responsibility to ensure the most updated revisions are obtained.

SP/S-2006 (05-03) Rev 2

Product Submittal	
Job Name	
Date	
Part Number	Quantity
Architect	
Contractor	