

EXPANSION DOLLAR PLUG

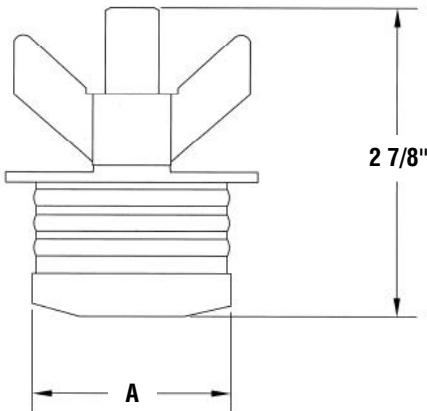
DESIGN FEATURES

- Designed for testing ABS, PVC, and Cast Iron, DWV pipe
- Re-usable for greater economy
- No tools required; extra large wing nut makes it easy to hand tighten
- Triple O-ring design gives greater gripping power
- Cleans up with water
- Made in North America

MATERIAL SPECIFICATIONS

- Center constructed of thermoplastic rubber
- Body constructed of high impact plastic
- Color: Blue and Orange

DIMENSIONS



Part Number	A
P-0044	1-1/2"
P-0045	2"
P-0046	3"
P-0047	4"



Expansion Dollar Plug

Part Number	Description	MSTR CTN QTY/LBS
P-0044	EDP 1-1/2"	120/12
P-0045	EDP 2"	100/14
P-0046	EDP 3"	50/13
P-0047	EDP 4"	25/12

Product Submittal	
Job Name:	Date:
Part Number:	Quantity:
Architect:	
Contractor:	

Content matter is subject to change at any time. It is the user's responsibility to ensure the most updated revisions are obtained. Rev 2 2/2021