

## EXPANSION COUPLINGS

### SPECIFICATION

The Tech Specialties Expansion Coupling is a standard feature on all Tech Specialties roof drains. However, its many benefits are applicable to any roof drain system. The Tech Specialties Expansion Coupling "shock absorbs" the ill-effects of a roof's expansions and contractions, prolonging roof life, preserving downspout/ drain integrity, and significantly decreasing the possibility of leaks and call backs. Tech Specialties Expansion Couplings can be installed on any roof drain system. Made of thermoplastic rubber, they are available in sizes 2", 3" and 4". Approved stainless steel bands are made of SS 300 and are supplied with each coupling. Tech Specialties expansion couplings preserve the relationship of pipe to drain, while absorbing the "wrenching", crack-producing effects of roof expansion and contraction. This results in dramatically extending roof life and drain efficiency. Tech Specialties expansion couplings are adaptable to cast iron, galvanized, ABS and PVC Schedule 40 piping systems.



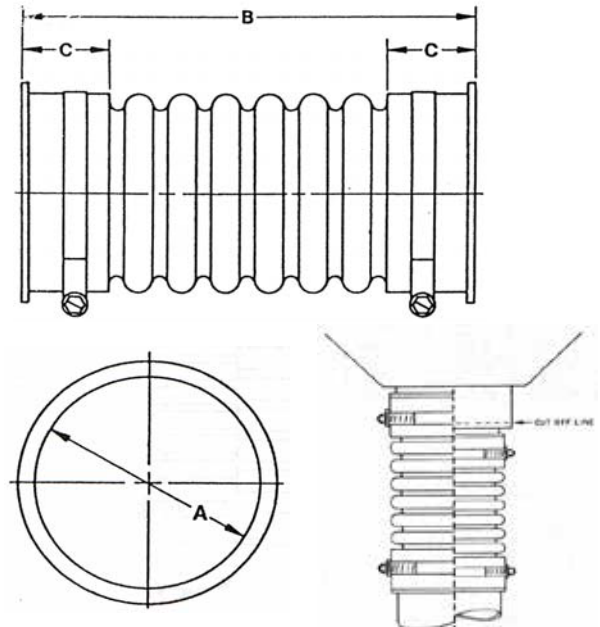
| PART NUMBER | DESCRIPTION                           | A     | B     | C     | MSTR CTN QTY |
|-------------|---------------------------------------|-------|-------|-------|--------------|
| T-0305      | 2" Expansion Coupling x 7-1/2" Height | 2.375 | 7.125 | 1.125 | 80           |
| T-0306      | 3" Expansion Coupling x 8-1/4" Height | 3.500 | 8.000 | 1.625 | 40           |
| T-0307      | 4" Expansion Coupling x 9" Height     | 4.500 | 8.750 | 1.875 | 24           |

### NOTES

- The expansion coupling shall not be subject to more than one foot static water pressure. When using a side outlet roof drain, support the piping system no more than twelve inches (12") from expansion coupling.
- Recommended engineering design and installation for expansion and contraction of ABS or PVC piping systems should be used. Installation must provide adequate stabilization of pipe support where the pipe connects to the expansion coupling.

### COMPLIANCE/LISTINGS

- IAPMO C-3665; IAPMO PS 51-2016



| Product Submittal |           |
|-------------------|-----------|
| Job Name:         | Date:     |
| Part Number:      | Quantity: |
| Architect:        |           |
| Contractor:       |           |

Content matter is subject to change at any time. It is the user's responsibility to ensure the most updated revisions are obtained. 4/2021