

FIRESTOP™ WASHING MACHINE OUTLET BOX

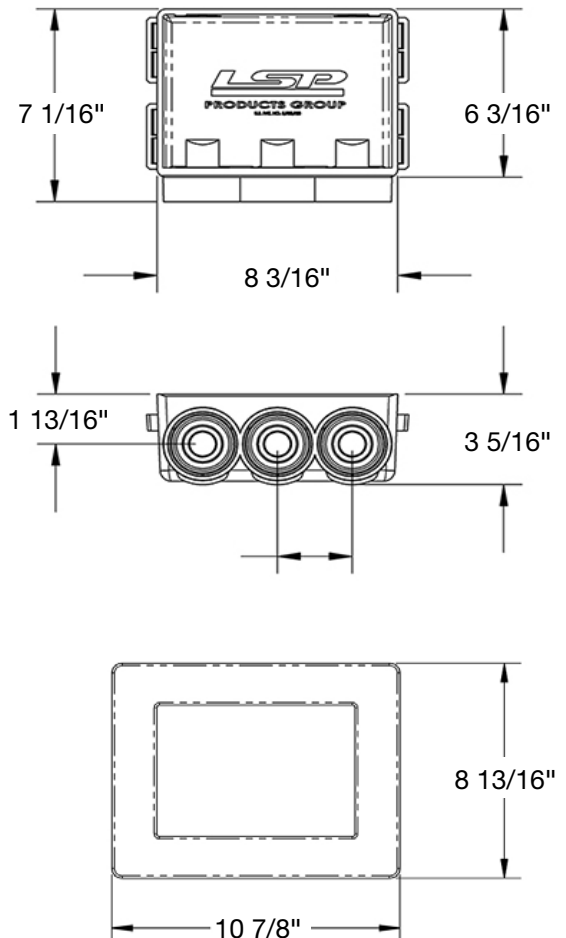
The most versatile, fire-rated box in the industry. Similar in design to the Switch Hitter®, valves may be mounted right/left, or with center drain, and from top or bottom. Constructed from fire-resistant PVC, with a factory-mounted intumescent pad. Suitable for use on wood or metal studs, and with all pipe types. Molded in test cap for testing of DWV drain. Quarter Turn Ball Valve. Dimensions: 7-1/16" x 8-3/16" x 3". Faceplate: 11" x 8-3/4". Faceplates will accommodate 1.25" wall thickness.

DESIGN FEATURES

- 1hr and 2hr fire rated
- Same proven Switch Hitter design with fire rating
- Selectable drain orientations
- Selectable top, bottom, right, left valve orientations
- Knockout test cap
- Deep faceplate accepts up to two sheets of 5/8" drywall
- 1/4" thick intumescent pad for fire protection
- Box constructed of fire resistant PVC
- Mounts in center of stud bay
- EZ-Turn Quarter Ball Valve - Durable brass resists cracking corrosion and allows for fingertip control of waterflow
- Valves have long lasting o-rings and PTFE seats

COMPLIANCES/LISTINGS

- Warnock Hersey listed 1hr and 2hr:
ASTM E814, CAN/ULC S115, IAPMO/UPC Certified
- Valve also meets or exceeds:
ASME A112.18.1, NSF Standard 61





Legacy of **INNOVATION**

Specialty Products™

Part Number	Description	Master Carton Qty
Without Valves		
OBFS-2000	-	10
With MIP Valves		
OBFS-2010	Unassembled	10
OBFS-2011	Assembled, Center Drain	10
OBFS-2110*	Unassembled with Hammer Arrestor	10
OBFS-2111	Assembled, Center Drain, with Hammer Arrestor	10
With CPVC Valves		
OBFS-2020*	Unassembled	10
OBFS-2021	Assembled, Center Drain	10
OBFS-2120*	Unassembled with Hammer Arrestor	10
OBFS-2121*	Assembled, Center Drain, with Hammer Arrestor	10
With Crimp PEX F1807 Valves		
OBFS-2030	Unassembled	10
OBFS-2031	Assembled, Center Drain	10
OBFS-2130	Unassembled with Hammer Arrestor	10
OBFS-2131	Assembled, Center Drain, with Hammer Arrestor	10
With UPONOR F1960 Valves		
OBFS-2060	Unassembled	10
OBFS-2061	Assembled, Center Drain	10
OBFS-2160	Unassembled with Hammer Arrestor	10
OBFS-2161*	Assembled, Center Drain, with Hammer Arrestor	10
With Rehau Valves		
OBFS-2040	Unassembled	10
OBFS-2141	Assembled, Center Drain, with Hammer Arrestor	10
With Viega Valves		
OBFS-2070	Unassembled	10
OBFS-2137	Unassembled with Hammer Arrestor	10

* = Add "-T" to the end of these part numbers for Tract Pack (faceplates packaged separately)

Product Submittal	
Job Name:	Date:
Part Number:	Quantity:
Architect:	
Contractor:	

Content matter is subject to change at any time. It is the user's responsibility to ensure the most updated revisions are obtained. 06/2020

2727 CHEMSEARCH BLVD., IRVING, TX 75062 | PHONE: (800) 854-3215 | FAX: (800) 243-1777 | LSPproducts.com