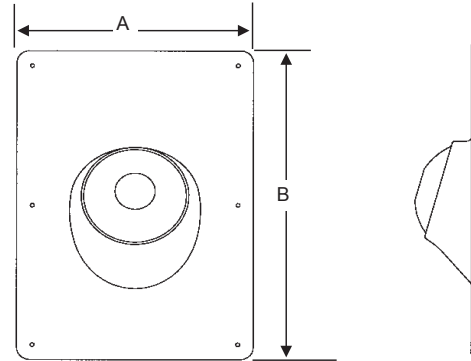


FLASHINGS - GALVANIZED



SPECIFICATION

Furnish and install Galvanized Flashing to eliminate leaks and resist extreme weather conditions.

DESIGN FEATURES

- Eliminates leaks by incorporating a rush and seal in the flashing cone, which compresses around the pipe, making it water tight
- Resistant to ultraviolet rays, moisture, salt air corrosion and extreme weather conditions
- Self-sealing design allows for pipe expansion and contraction
- Use with ABS, PVC, galvanized and cast iron DWV pipe
- Flexible so that it conforms to roof shakes, shingles and flat tile (universal)
- Bases on the galvanized flashings are constructed of .025 inch thick material

COMPLIANCE/LISTINGS

- IAPMO 0956; IAPMO PS 64-2012ae1/UPC/IPC

SPECIFICATION

- Roof Pitch: 0-40°

GALVANIZED ROOF FLASHING			
PART NUMBER	DESCRIPTION	PIPE SIZE	MSTR CTN QTY
MULTI-FIT			
P-8123	10-3/4" x 14-1/2"	1-1/4", 2", 3"	12

Product Submittal	
Job Name:	Date:
Part Number:	Quantity:
Architect:	
Contractor:	

Content matter is subject to change at any time. It is the user's responsibility to ensure the most updated revisions are obtained. 5/2023