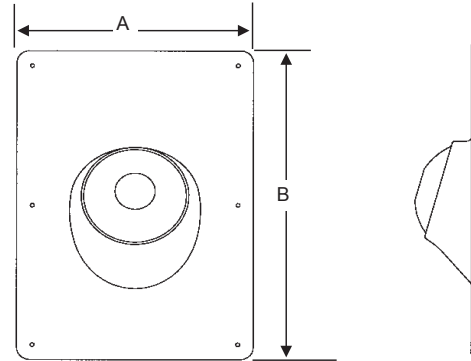


FLASHINGS - GALVANIZED & ALUMINUM



SPECIFICATION

Furnish and install Galvanized and Aluminum Flashing to eliminate leaks and resist extreme weather conditions from LSP.

DESIGN FEATURES

- Eliminates leaks by incorporating a rush and seal in the flashing cone, which compresses around the pipe, making it water tight
- Resistant to ultraviolet rays, moisture, salt air corrosion and extreme weather conditions
- Self-sealing design allows for pipe expansion and contraction
- Use with ABS, PVC, galvanized and cast iron DWV pipe
- Flexible so that it conforms to roof shakes, shingles and flat tile (universal)
- Bases on the galvanized and aluminum flashings are constructed of .025 inch thick material

COMPLIANCE/LISTINGS

- IAPMO 0956; IAPMO PS 64-2012ae1/UPC/IPC

SPECIFICATION

- Roof Pitch: 0-30°

GALVANIZED ROOF FLASHING

P-4030	8-3/4" x 12-5/8"	1-1/4"-1-1/2"	12
P-4031	8-3/4" x 12-5/8"	2"	12
P-4032	10-3/4" x 14-1/2"	3"	12
P-4033	11-3/4" x 15-1/2"	4"	12

MULTI-FIT

P-8123	10-3/4" x 14-1/2"	1-1/2", 2", 3"	12
P-8034	11-3/4" x 15-1/2"	3", 4"	12

ALUMINUM ROOF FLASHING

P-4042	8-3/4" x 12-5/8"	1-1/4"-1-1/2"	12
P-4043	8-3/4" x 12-5/8"	2"	12
P-4044	10-3/4" x 14-1/2"	3"	12
P-4045	11-3/4" x 15-1/2"	4"	12

MULTI-FIT

P-9123	10-3/4" x 14-1/2"	1-1/2", 2", 3"	12
P-9034	11-3/4" x 15-1/2"	3", 4"	12

Product Submittal	
Job Name:	Date:
Part Number:	Quantity:
Architect:	
Contractor:	

Content matter is subject to change at any time. It is the user's responsibility to ensure the most updated revisions are obtained. 8/2021