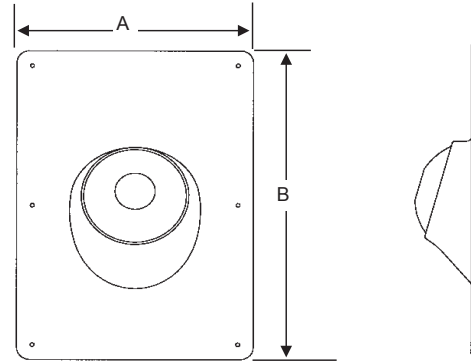
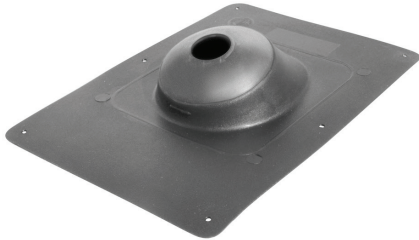


## FLASHINGS - POLY® & FLEX-ALL



### SPECIFICATION

Furnish and install POLY® III, IV & V AND Flex-All Rubber Flashing to eliminate leaks and resist extreme weather conditions from LSP.

### DESIGN FEATURES

- Eliminates leaks by incorporating a rush and seal in the flashing cone, which compresses around the pipe, making it water tight
- Resistant to ultraviolet rays, moisture, salt air corrosion and extreme weather conditions
- Self-sealing design allows for pipe expansion and contraction
- Use with ABS, PVC, galvanized and cast iron DWV pipe
- Flexible so that it conforms to roof shakes, shingles and flat tile (universal)

### COMPLIANCE/LISTINGS

- IAPMO 0956; IAPMO PS 64-2012ae1/UPC/IPC

### SPECIFICATION

- Roof Pitch: POLY® 0-45°  
FLEX-ALL 0-40°

NEO-POLY ROOF FLASHING			
PART NUMBER	DESCRIPTION	PIPE SIZE	MSTR CTN QTY
P-6150	8-7/8" x 11-3/4"	1-1/4"-1-1/2"	12
P-6200	8-7/8" x 11-3/4"	2"	12
P-6300	10-3/4" x 13-5/8"	3"	12
P-6400	11-3/4" x 15-3/4"	4"	12
MULTI-FIT			
P-7123	10-3/4" x 13-5/8"	1-1/2", 2", 3"	12
HARD BASE POLY® ROOF FLASHING			
P-4150*	13-1/16" x 8-7/8"	1-1/2"	25
P-4200*	13-1/16" x 8-7/8"	2"	25
P-4300*	16-5/32" x 11-9/16"	3"	25
P-4400*	16-5/32" x 11-9/16"	4"	25
FLEX-ALL SOFT BASE ROOF FLASHING			
P-5150*	11-1/4" x 8-7/8"	1-1/4", 1-1/2"	25

Product Submittal	
Job Name:	Date:
Part Number:	Quantity:
Architect:	
Contractor:	

Content matter is subject to change at any time. It is the user's responsibility to ensure the most updated revisions are obtained. 8/2021