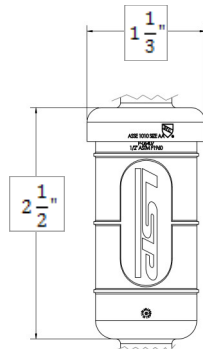
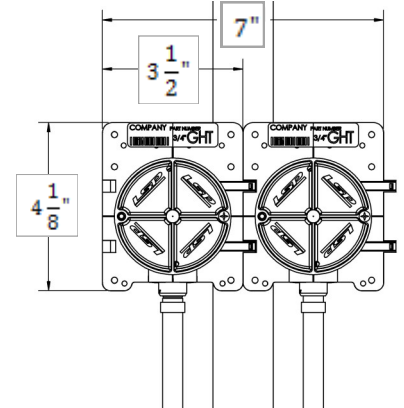
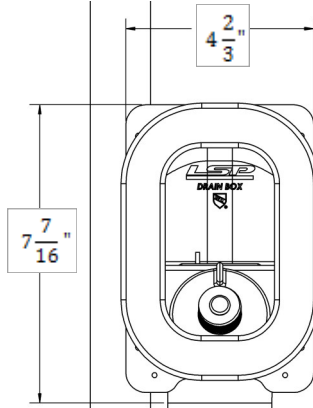


PSB Washing Machine Kits

Pull Stop Box™, Drain Box, and Inline Hammer Arrester

Specification Sheet



SPECIFICATION

PSB Washing Machine Kit includes:

- 2 Pull Stop Boxes™ (Trim Kit sold separately)
- 1 Drain Box
- Optional: 2 Polymer Mini Inline Hammer Arresters

DESIGN FEATURES

Polymer Mini Inline Hammer Arrester:

- Size AA, ASSE 1010 Certified
- Patented Inline Hammer Arrester eliminates water hammer
- Can be installed, and is effective at, any angle or direction
- No access panel or maintenance required
- Exceeds all ASTM A112.18.6 Flow Requirements

DESIGN FEATURES

Package:

- Unlimited drain and supply stop installation options. Unlimited versatility between left, center, right drains, top or bottom supply piping, split in separate stud cavities, or on adjacent walls
- Available in Fire Stop™ packages
- Available with patented mini Inline Water Hammer Arresters
- Easy to install vertically, upside down, and horizontally
- Allows for complete installation and testing in the rough, reducing liability and labor
- Works perfectly with HYCO straps on top and bottom

Pull Stop Box™:

- Moves the angle-stop for toilet and lavatory water supplies into the wall
- Eliminates the need for a copper stub out and associated bracketing
- Integrated valve can be easily replaced
- Deep faceplate accepts up to 2 sheets of 5/8" drywall
- Pull Stop Box™ Trim Kit shown in color picture above sold separately

Drain Box:

- Includes threaded test plug, eliminating need for knockouts
- 2" Drain Pipe Connection
- Smaller and stronger design, molded from high impact plastic

Supplementary Information

For more information regarding any of the following, refer to spec sheets of individual products contained in this kit.

- Material Specifications
- Warranty Information
- Operation Specifications
- Maintenance
- Compliances/Listings of individual products
- Further and more specific Design Features of each component
- Relevant dimensions for each component



3689 Arrowhead Drive, Carson City, NV 89706
 Phone (800) 854-3215 Fax (800) 243-1777

E-mail sales@lspproducts.com Website www.lspproducts.com
 Content matter is subject to change at any time. It is the user's responsibility to ensure the most updated revisions are obtained.

Product Submittal	
Job Name:	
Date:	
Part Number	Quantity
Architect:	
Contractor:	



PSB Washing Machine Kits

Pull Stop Box™, Drain Box, and Inline Hammer Arrester
Specification Sheet

Fire Rated Pull Stop Box Kits Not Including Hammer Arresters		
Kit Part Number	Description	Part Number
OBFPS-121-RK-KIT	Kit, FIRE RATED, 2 PSB with Drain Box, 1/2" Sweat	OBFPS-121-RK
		OBFD-100
OBFPS-122-RK-KIT	Kit, FIRE RATED, 2 PSB with Drain Box, 1/2" CPVC	OBFPS-122-RK
		OBFD-100
OBFPS-123-RK-KIT	Kit, FIRE RATED, 2 PSB with Drain Box, 1/2" CRIMP PEX	OBFPS-123-RK
		OBFD-100
OBFPS-124-RK-KIT	Kit, FIRE RATED, 2 PSB with Drain Box, 1/2" UPONOR PEX	OBFPS-124-RK
		OBFD-100
Including Hammer Arresters		
Kit Part Number	Description	Part Number
OBFPS-122-RK-KIT-HA	Kit, FIRE RATED, 2 PSB, 2 INLINE HA, with Drain Box, 1/2" CPVC	OBFPS-122-RK
		OBFD-100
		P-06408
OBFPS-123-RK-KIT-HA	Kit, FIRE RATED, 2 PSB, 2 INLINE HA, with Drain Box, 1/2" CRIMP PEX	OBFPS-123-RK
		OBFD-100
		P-06406
OBFPS-124-RK-KIT-HA	Kit, FIRE RATED, 2 PSB, 2 INLINE HA, with Drain Box, 1/2" UPONOR PEX	OBFPS-124-RK
		OBFD-100
		P-06407

Pull Stop Box Kits Not Including Hammer Arresters		
Kit Part Number	Description	Part Number
OBPS-121-RK-KIT	Kit, 2 PSB with Drain Box, 1/2" Sweat	OBPS-121-RK
		OBD-100
OBPS-122-RK-KIT	Kit, 2 PSB with Drain Box, 1/2" CPVC	OBPS-122-RK
		OBD-100
OBPS-123-RK-KIT	Kit, 2 PSB with Drain Box, 1/2" CRIMP PEX	OBPS-123-RK
		OBD-100
OBPS-124-RK-KIT	Kit, 2 PSB with Drain Box, 1/2" UPONOR PEX	OBPS-124-RK
		OBD-100
Including Hammer Arresters		
Kit Part Number	Description	Part Number
OBPS-122-RK-KIT-HA	Kit, 2 PSB, 2 INLINE HA, with Drain Box, 1/2" CPVC	OBPS-122-RK
		OBD-100
		P-06408
OBPS-123-RK-KIT-HA	Kit, 2 PSB, 2 INLINE HA, with Drain Box, 1/2" CRIMP PEX	OBPS-123-RK
		OBD-100
		P-06406
OBPS-124-RK-KIT-HA	Kit, 2 PSB, 2 INLINE HA, with Drain Box, 1/2" UPONOR PEX	OBPS-124-RK
		OBD-100
		P-06407



3689 Arrowhead Drive, Carson City, NV 89706
 Phone (800) 854-3215 Fax (800) 243-1777
 E-mail sales@lspproducts.com
 Website www.lspproducts.com
 Content matter is subject to change at any time. It is the user's responsibility to ensure the most updated revisions are obtained.

Product Submittal	
Job Name:	
Date:	
Part Number	Quantity
Architect:	
Contractor:	