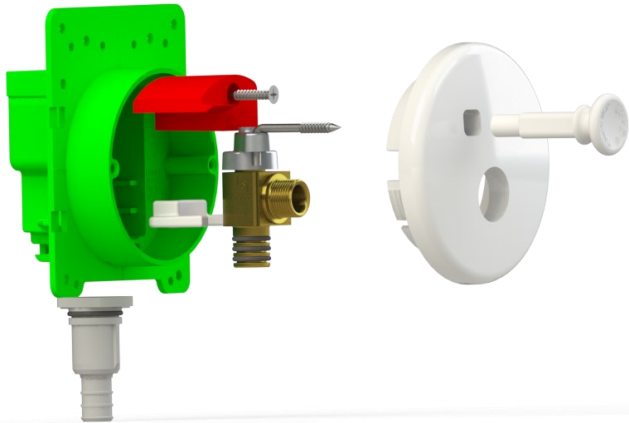


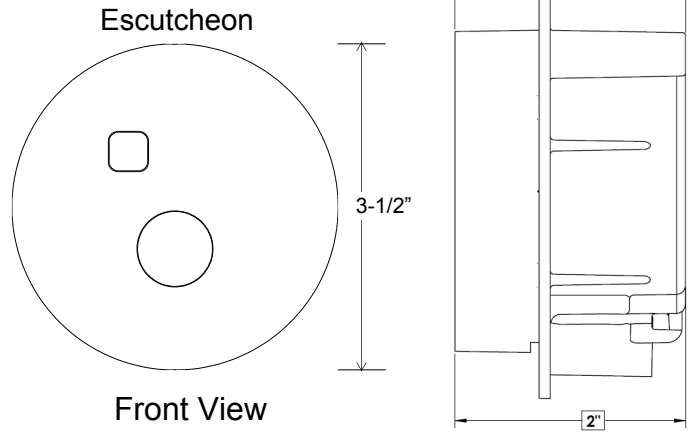


PULL STOP BOX™

Specification Sheet



DIMENSIONS



SPECIFICATION

Furnish and install the Pull Stop Box™ outlet box as manufactured by LSP Products Group.

DESIGN FEATURES

- Patented design moves the angle-stop for toilet and lavatory water supply into the wall
- Allows angle stops to be installed during the rough-in phase and be pressure tested for reduced liability and labor
- Easy to install vertically, upside down and, horizontally
- Eliminates the need for a copper stub out
- Unique push-pull handle opens and closes the valve
- Integrated, replaceable valve has a reliable triple O-ring design inlet seal
- 5-year, limited warranty
- Available deep faceplate accepts up to two sheets of 5/8" drywall
- Ball valve design with Teflon seats
- 3/8" Compression Outlet Connection

CAUTION

- Keep away from solvents/cements/primers
- Keep out of sunlight and other heat sources
- Supply line pipe clamps need to be installed a minimum of 6 inches above/below Pull Stop Box™ inlet connection

OPERATING SPECIFICATION

- Temperature: 40-180°F working temperature
- Pressure: 125 PSI max working pressure

COMPLIANCES/LISTINGS

- IAPMO listed to ASME A112.18.1/CSA B125.1, file 4577
- IAPMO Listed ANSI/NSF 61 file N-6614
- IAPMO Listed to Lead Free Plumbing Law file 6545
- ICC-ES evaluated, PMG-1154



3689 Arrowhead Drive, Carson City, NV 89706
 Phone: (800) 854-3215 | Fax: (800) 243-1777
 E-mail: sales@lspproducts.com | Website: www.lspproducts.com
 Content matter is subject to change at any time. It is the user's responsibility to ensure the most updated revisions are obtained.

Rev 10/18

Product Submittal	
Job Name:	
Date:	
Part Number	Quantity
Architect:	
Contractor:	



PULL STOP BOX™

Specification Sheet

Part Number	Inlet Type
ROUGH-IN KIT - includes box, valve, and protective cover	
OBPS-101-RK	1/2" Sweat
OBPS-102-RK	1/2" CPVC
OBPS-103-RK	1/2" PEX (Vanguard and Zurn)
OBPS-104-RK	1/2" Wirsbo/Uponor PEX
OBPS-101-RK-LL	1/2" Sweat Lead Free
OBPS-102-RK-LL	1/2" CPVC Lead Free
OBPS-103-RK-LL	1/2" PEX (Vanguard and Zurn) Lead Free
OBPS-104-RK-LL	1/2" Wirsbo/Uponor PEX Lead Free
OBPS-108-RK-LL	1/2" EVERLOC+ PEX Lead Free
TRIM KIT - includes knob and escutcheon	
OBPS-200-W**	White - Paintable - Regular Depth 1/2" to 1-1/8" Depth
OBPS-200-W-S	White - Paintable - Regular Depth 1/2" to 1-1/8" Depth with screws
OBPS-300D-W**	White - Paintable - Deep Depth 1-1/8" to 1-7/8" Depth (For Cabinets)
OBPS-300D-W-S	White - Paintable - Deep Depth 1-1/8" to 1-7/8" Depth (For Cabinets) with screws
OBPS-400-W*	White - Paintable - Regular Depth 1/2" to 1" Depth, Includes two screws and red clip
OBPS-400D-W*	White - Paintable - Deep Depth 1" to 1.72" Depth, Includes two screws and red clip

ACCESSORIES/REPLACEMENT PARTS	
P-06923	Escutcheon Extension - Can be used with any trim kit to cover any excessively large holes in the drywall up to 4.5" diameter hole. MUST BE USED WITH AN EXISTING TRIM KIT.
P-06930	Dual Escutcheon Extension - For side by side installations. Can be used with any 2 trim kits to cover any excessively large holes in the drywall up to 4.5" diameter hole. MUST BE USED WITH EXISTING TRIM KITS.
P-06878-LL	3/8" Comp 1/4 Turn Replacement Valve, Lead Free
OBPS-500D-W	Escutcheon depth Extension Kit, .8" additional depth for cabinet backs and/or for more than two layers of drywall
P-06926	Extension rod for PSB handle for deep installations
OBPS-TOOL-1	Tee Shaped Wrench, for 3/8" Comp Nut Wrench, Stamped
OBPS-TOOL-3	Heavy Duty Tee Shaped Wrench, for 3/8" Comp Nut Wrench, Forged
P-06735	Tee Splitter, Female 3/8" Comp X 2X Male 3/8" Comp for Dishwasher and hot water applications
AUXILIARY FIXTURING	
P-1078-18	18" Straight HYCO bar
P-1078-26	26" Straight HYCO bar
P-1090	Boss Bar™ - 10" to 18" adjustable sliding bracket
P-1093	Boss Bar™ - 13" to 24" adjustable sliding bracket

*Great for toilet and other exposed area Pull Stop Box™ applications.
 ** White (-W) trim kit standard. Available in Chrome (-C), Satin Nickel (-SN) or Oil rubbed bronze (-ORB). All designer finish trim kits are fire rated.



3689 Arrowhead Drive, Carson City, NV 89706
 Phone: (800) 854-3215 | Fax: (800) 243-1777
 E-mail: sales@lspproducts.com | Website: www.lspproducts.com
 Content matter is subject to change at any time. It is the user's responsibility to ensure the most updated revisions are obtained.
 Rev 10/18

Product Submittal	
Job Name:	
Date:	
Part Number	Quantity
Architect:	
Contractor:	



PULL STOP BOX™ Specification Sheet

ROUGH-IN INSTALLATION INSTRUCTIONS

1. Identify the desired outlet location.
2. Attach the supply line to the valve inlet via pipe manufactures recommended practice. (i.e., sweat for copper, solvent cement for CPVC, crimp rings for PEX)
3. Fasten the Pull Stop Box™ using two screws or two nails on the side of the box into vertical stud or mount using a HYCO strap, horizontal stud or Boss Bar™ onto the top of the box. (Do not over tighten screws or over drive nails). Supply line pipe clamps need to be installed a minimum of 6 inches above/below Pull Stop Box™ inlet connection
4. The Pull Stop Box™ is shipped in the “off” position. Once the box is securely attached to the wall and the supply line is properly attached no further work is necessary during the rough-in phase. The included protective cover will protect the valve during the construction process.

TRIM INSTALLATION INSTRUCTIONS

1. Pull off the protective cover.
2. Feed a flexible connector through the escutcheon, and thread a flexible connector onto the valve outlet; tighten to manufacturer specifications.
3. Line up the threaded metal arm to fit through the square hole in the escutcheon and push the escutcheon into the outlet box until it is flush with the wall while making sure to feed the threaded metal arm through the square hole.
4. Thread the knob onto the threaded metal arm a minimum of four complete turns.
5. When water supply is desired push the knob towards the wall to turn the valve on.
6. To stop the flow of water, pull the knob out.

VALVE REPLACEMENT INSTRUCTIONS

1. Turn off water supply to building. Then, pull knob to “off” position. Then, unscrew knob and pull out escutcheon.
2. Use phillips screwdriver to remove screw from red valve block.
3. Remove current valve and replace with a new one.
4. Secure the valve block back into place with the screw.
5. Follow steps 3-6 under **Trim Installation Instructions**.

MATERIAL SPECIFICATIONS	
Part	Material
Valve Body, Stem	Lead Free Brass
Valve Handle	Cast Aluminum
Ball	Chrome Plated Lead Free Brass
O-rings	High Temperature Rubber
Box	Fire Resistant ABS
PEX Inlet Connection	Engineered Polymer PPSU
CPVC Inlet Connection	Fitting Grade CPVC
Copper Inlet Connection	ASTM B88 Copper Tube



3689 Arrowhead Drive, Carson City, NV 89706

Phone: (800) 854-3215 | Fax: (800) 243-1777

E-mail: sales@lspproducts.com | Website: www.lspproducts.com

Content matter is subject to change at any time. It is the user's responsibility to ensure the most updated revisions are obtained.

Rev 10/18

Product Submittal	
Job Name:	
Date:	
Part Number	Quantity
Architect:	
Contractor:	