

### SPECIFICATION

Designed to secure toilet to waste piping connection and floor.

### DESIGN FEATURES

- Fits both 3" and 4" schedule 40 piping
- Test Version hold up to 5 floors of pressure
- Patented easy no hassle pop up test cap feature
- Patented 304 Stainless Steel inserts give the strength of a steel ring with the corrosion resistance of polymers
- One of the strongest polymer flanges on the market
- 14 hole options for securing to the floor allow for versatile installation
- Centering lines allow for easy alignment during installation

### COMPLIANCES/LISTINGS

- ABS Listed through IAPMO to ASTM D2661, File number 2602
- PVC Listed through IAPMO to ASTM D2665, File number 2737
- Compliant to Uniform Plumbing Code (UPC®)
- Compliant to International Plumbing Code (IPC®)



3689 Arrowhead Drive, Carson City, NV 89706

Phone (800) 854-3215 Fax (800) 243-1777

E-mail sales@lspproducts.com

Website www.lspproducts.com

Content matter is subject to change at any time. It is the user's responsibility to ensure the most updated revisions are obtained.

Rev A 09/2017

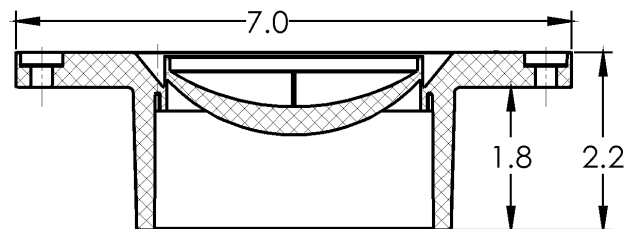
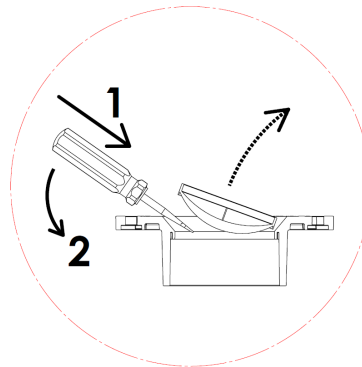
# POP UP CLOSET FLANGE

## Specification Sheet

Part Number	Description	MC QTY
P-3301	3x4, PVC with Test Cap	24
P-3302	3x4, ABS with Test Cap	24
P-3303	3x4, PVC without Test Cap	24
P-3304	3x4, ABS without Test Cap	24
P-3311	3x4, PVC w/ SS inserts & Test Cap	24
P-3312	3x4, ABS w/ SS inserts & Test Cap	24
P-3313	3x4, PVC w/ SS inserts & w/out Test Cap	24
P-3314	3x4, ABS w/ SS inserts & w/out Test Cap	24

### INSTALLATION

1. Secure closet flange over drain pipe and connect per piping manufacturer's instructions
2. Secure to floor with appropriate number and size of screws.
3. Test plumbing system
4. After test, position screw driver as shown below. Pop up test cap. If necessary, use screw driver at second location and use channel locks for a final removal of test cap.
5. Install toilet per manufacturer's instructions.



Product Submittal	
Job Name:	
Date:	
Part Number	Quantity
Architect:	
Contractor:	