

## STABILIZER

### SPECIFICATION

Furnish and install Stabilizer as manufactured by LSP.

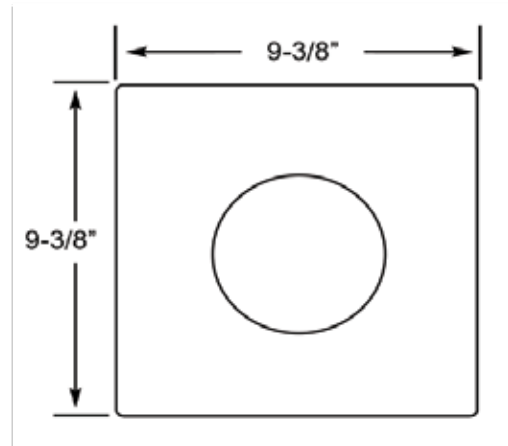
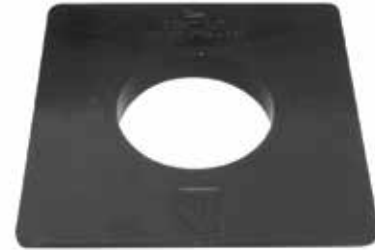
### DESIGN FEATURES

- Ideal for wooden floor or concrete slab applications
- Prevents bend or riser from moving to eliminate water closet rocking
- Made in North America

### COMPLIANCES/LISTINGS

- IAPMO 0841; IAPMO PS 91 - 2005a/UPC/IPC

PART NUMBER	DESCRIPTION	PARTS/BAG	MSTR CTN QTY
P-3006	4" Flush	1	75



Product Submittal	
Job Name:	Date:
Part Number:	Quantity:
Architect:	
Contractor:	

*Content matter is subject to change at any time. It is the user's responsibility to ensure the most updated revisions are obtained. 4/2021*