

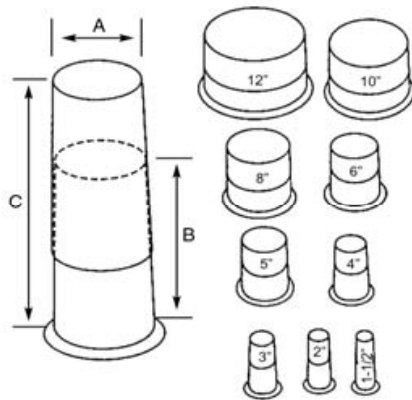
## SURE-SLEEVE PLASTIC HOLE FORM

### SPECIFICATION

Furnish and install Sure-Sleeve Plastic Hole Form as manufactured by LSP Products Group/Specialty Products.

### DESIGN FEATURES

- Versatile; use vertically and horizontally for both floor and wall installations
- Unique design features 1° and 3° dual taper
- Smooth exterior releases from concrete easily
- Internal ribs and thick nailing ring provide extra strength
- For use in electrical, mechanical and plumbing installations and concrete casting applications
- NOTE: Use 1 or 2 sizes larger than pipe size



Part Number	Description	Master Carton Qty
P-3050	Dual Taper, 1-1/2"	135
P-3051	Dual Taper, 2"	90
P-3060	Dual Taper, 3"	80
P-3061	Dual Taper, 4"	55
P-3062	Dual Taper, 5"	30
P-3063	Dual Taper, 6"	25
P-3064	3° Taper, 8"	36
P-3056	1° Taper, 10"	12
P-3057	1° Taper, 12"	12

Part Number	A	B	C
P-3050	1-1/2"	8-1/8"	13-1/4"
P-3051	2"	8-1/8"	13-1/4"
P-3060	3"	8-1/8"	13-1/2"
P-3061	4"	8-1/8"	13-1/2"
P-3062	5"	8-1/8"	13-3/8"
P-3063	6"	8-1/8"	13-1/8"
P-3064	8"	8"	10"
P-3056	10"	8"	13-3/8"
P-3057	12"	8"	12"

Product Submittal	
Job Name:	Date:
Part Number:	Quantity:
Architect:	
Contractor:	

Content matter is subject to change at any time. It is the user's responsibility to ensure the most updated revisions are obtained. 05/2020