

TUB BOXES



Right-Tite® II Tub Box
P-3000



Plastic Tub Box
1313

Part Number	Description	MSTR CTN QTY
Tub Boxes		
P-3000	14-7/8" x 14-7/8" x 7" Deep	5 pairs
1313	13" x 13" x 7" Deep	12
1410	12" x 8" x 6" Deep	36

DESIGN FEATURES

TUB BOXES

These tub boxes are made with high-impact injection molded plastic. Will not fall apart when exposed to rain or water. Easily cut with utility knife for openings. Rodent proof. Can be used individually or in pairs. Made in North America.

- Patented, improved closure makes assembly a snap
- More pipe knockouts - 10 total, compatible with 1-1/2" and 2" pipe
- Angled corner increases versatility
- Zip ties included for rebar anchoring
- Use in concrete slabs, wood floors and multi-story flooring

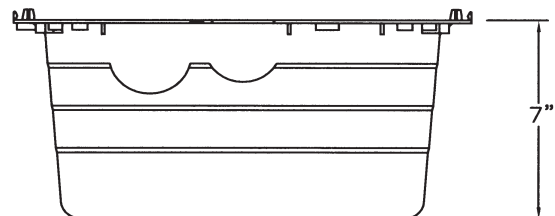
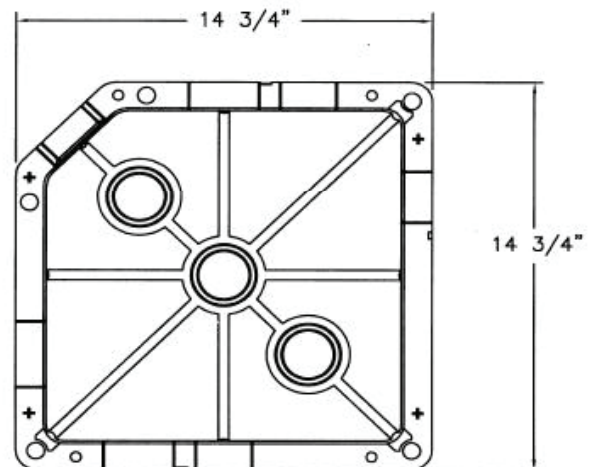
MATERIAL SPECIFICATIONS

- Durable high impact plastic
- 6" zip ties
- Patent # 444,572

COMPLIANCES/LISTINGS

- IAPMO Certified File # 0901

DIMENSIONS



Product Submittal	
Job Name:	Date:
Part Number:	Quantity:
Architect:	
Contractor:	

Content matter is subject to change at any time. It is the user's responsibility to ensure the most updated revisions are obtained. Rev 2 10/2021