

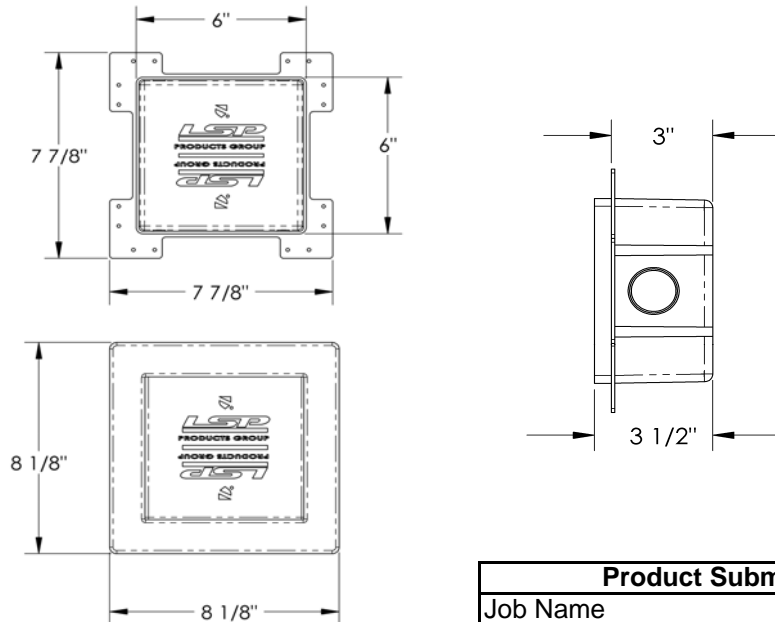
### Design Features

#### Applications:

- Main Supply Box with compact 1" butterfly-handle valve
- Angle Stop Box with 2 or 3 quarter turn valves
- Box constructed of high impact polystyrene
- Mounts on side of stud
- EZ-Turn Quarter Ball Valve(s) – durable brass resists cracking/corrosion and allows for fingertip control of water flow
- Valves have long lasting O-rings and Teflon seats

### Compliances/Listings

- IAPMO
- Valves also meets or exceed:  
ASME A112.18.1  
NSF Standard 61
- Water Hammer Arrestor meets or exceeds:  
ASSE 1010



3689 Arrowhead Drive, Carson City, NV 89706  
 Phone (800) 854-3215 Fax (800) 243-1777  
 E-mail sales@lspproducts.com Website www.lspproducts.com

Content matter is subject to change at any time. It is the user's responsibility to ensure the most updated revisions are obtained.

SP/S-2054 (12-07) Rev 1

Product Submittal	
Job Name	
Date	
Part Number	Quantity
Architect	
Contractor	

Part Number	Description	Mstr Ctn Qty
<b>MAIN SUPPLY OUTLET BOX</b>		
OB-1201	MAIN SUPPLY BOX, 1" FIP x 1" FIP BALL VALVE	10
<b>ANGLE STOP &amp; DISHWASHER COMBINATION OUTLET BOX</b>		
<b>MIP VALVES</b>		
OB-1210	ANGLE STOP BOX, 1/2" MIP X 3/8" COMP VALVES	10
OB-1211	ANGLE STOP - DISHWASHER BOX, 1/2" MIP X 3/8" COMP	10
OB-1212	ANGLE STOP - H.A. DISHWASHER BOX, 1/2" MIP X 3/8" COMP	10
<b>CPVC VALVES</b>		
OB-1220	ANGLE STOP BOX, 1/2" CPVC X 3/8" COMP	10
OB-1221	ANGLE STOP - DISHWASHER BOX, 1/2" CPVC X 3/8" COMP	10
OB-1222	ANGLE STOP - H.A. DISHWASHER BOX, 1/2" CPVC X 3/8" COMP	10
<b>PEX VALVES</b>		
OB-1230	ANGLE STOP BOX, 1/2" PEX X 3/8" COMP	10
OB-1231	ANGLE STOP - DISHWASHER BOX, 1/2" PEX X 3/8" COMP	10
OB-1232	ANGLE STOP - H.A. DISHWASHER BOX, 1/2" PEX X 3/8" COMP	10
<b>REHAU VALVES</b>		
OB-1240	ANGLE STOP BOX, 1/2" REHAU X 3/8" COMP	10
OB-1241	ANGLE STOP - DISHWASHER BOX, 1/2" REHAU X 3/8" COMP	10
OB-1242	ANGLE STOP - H.A. DISHWASHER BOX, 1/2" REHAU X 3/8" COMP	10
<b>WIRSBO ProPEX VALVES</b>		
OB-1250	ANGLE STOP BOX, 1/2" WIRSBO X 3/8" COMP	10
OB-1251	ANGLE STOP - DISHWASHER BOX, 1/2" WIRSBO X 3/8" COMP	10
OB-1252	ANGLE STOP - H.A. DISHWASHER BOX, 1/2" WIRSBO X 3/8" COMP	10
*Add -T to the end of any part number for Tract Pack (face plates packaged separately)		
<b>GAS OUTLET BOX</b>		
OB-1260	GAS BOX, 1/2" VALVE	10
OB-1261	GAS BOX, 3/4" VALVE	10
OB-1262	GAS BOX, 1/2" VALVE FOR CSST	10
*Add -GP to the end of any gas outlet box part number for Gas Pack (face plates packaged separately)		
<b>UTILITY OUTLET BOX</b>		
OB-1200	UTILITY BOX, EMPTY	10



3689 Arrowhead Drive, Carson City, NV 89706

Phone (800) 854-3215 Fax (800) 243-1777

E-mail sales@lspproducts.com Website www.lspproducts.com

Content matter is subject to change at any time. It is the user's responsibility to ensure the most updated revisions are obtained.

SP/S-2054 (12-07) Rev 1